

1 2 3 4 5 6 7 8

A

B

C

D

E

F

A

B

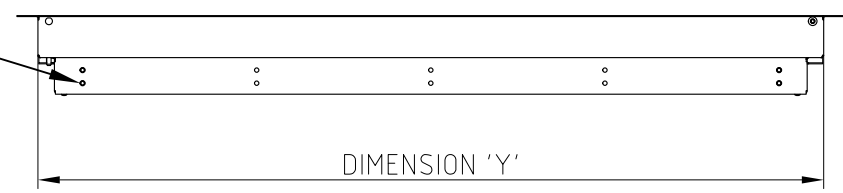
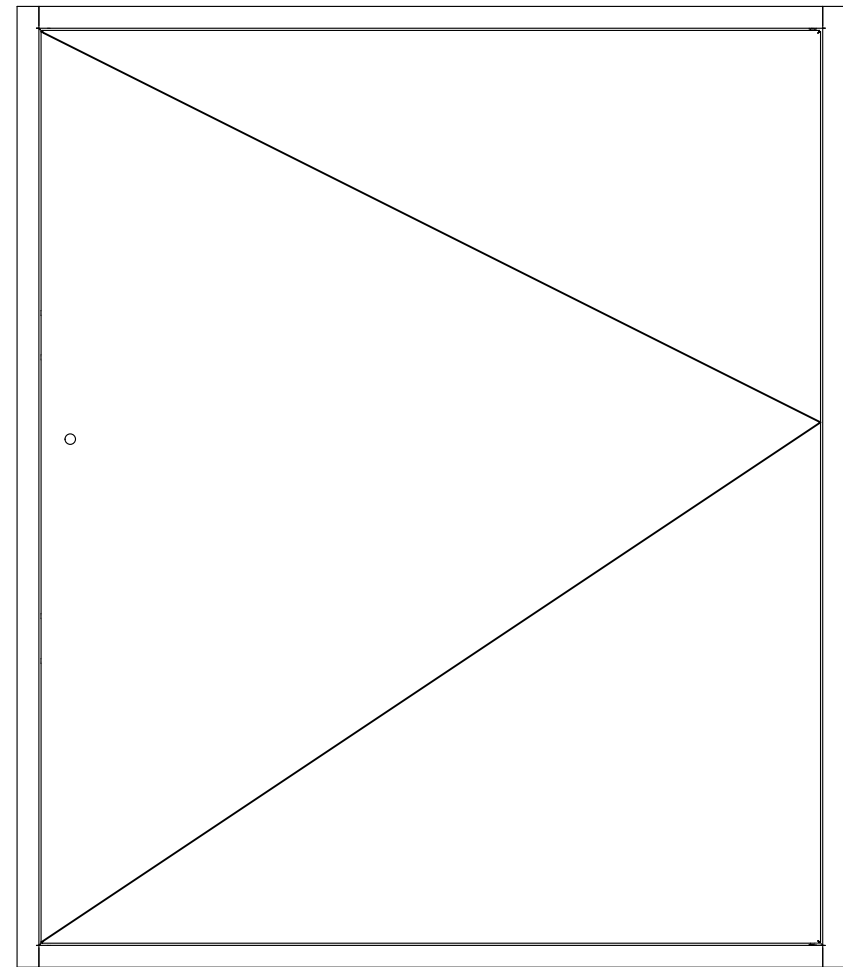
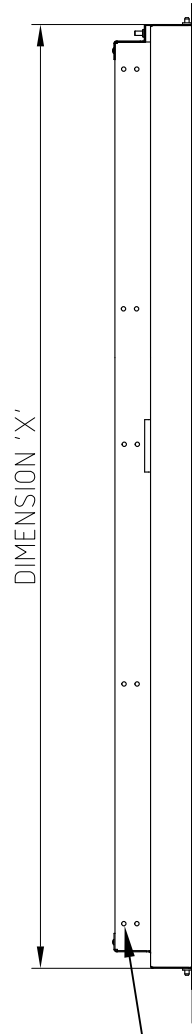
C

D

E

F

EI60 PANEL
EXTERNAL VIEWS



DOOR TYPE	CALL OFF / PANEL REFERENCE	DIMENSION 'X' 'HINGE' OUTSIDE FRAME	DIMENSION 'Y' 'WIDTH' OUTSIDE FRAME	QTY	TICK IF CORRECT



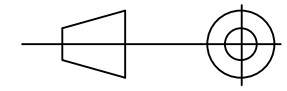
TOLERANCES
Detail up to 70mm ± 0.1mm
Detail over 70mm ± 0.2mm
General Tolerances ± 1.0mm

DO NOT SCALE

All dimensions in mm

MATERIAL
1.2mm ZINTEC STEEL

FIRST ANGLE PROJECTION



DESIGN

SCALE

SHEET SIZE

DATE

CHECKED

Eng APPROVAL

Mfg APPROVAL

MJS

22/02/18

TITLE
EI60 Panel - PF -
Pin Hinge

DRAWING No.
APC4301

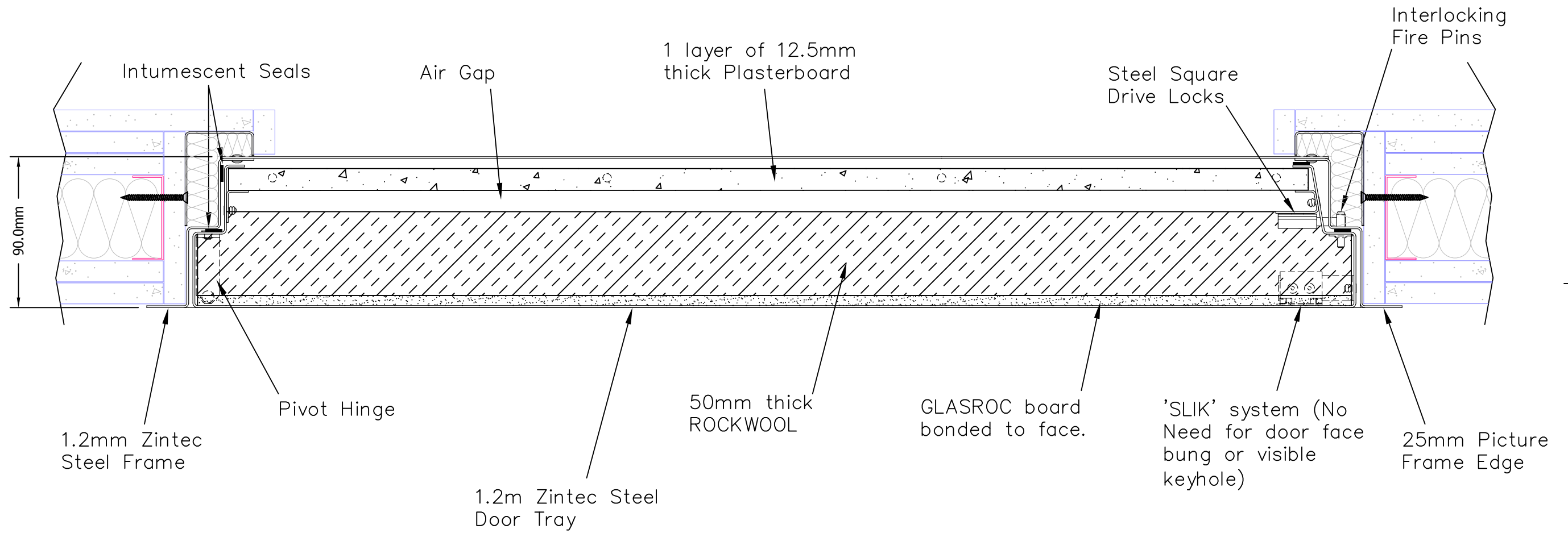
Sheet 1 of 3

REV

C

1 2 3 4 5 6 7 8

EI60 PANEL HORIZONTAL SECTION



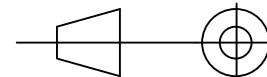
TOLERANCES
Detail up to 70mm ± 0.1mm
Detail over 70mm ± 0.2mm
General Tolerances ± 1.0mm

DO NOT SCALE

All dimensions in mm

MATERIAL
1.2mm ZINTEC STEEL

FIRST ANGLE PROJECTION



DESIGN

MJS

SCALE
SHEET SIZE

DATE

22/02/18

CHECKED
Eng APPROVAL
Mfg APPROVAL

TITLE
EI60 Panel - PF -
Pin Hinge

DRAWING No.
APC4301

Sheet 2 of 3

REV

C

For EI60 Rated Installation hole to be lined with plasterboard and rockwool as below. Channel (as shown) recommended for fixing plasterboard.

EI60 PANEL RECOMMENDED INSTALLATION

