



---

## CERTIFICATE OF APPROVAL

### No CF5806

---

This is to certify that, in accordance with  
TS00 General Requirements for Certification of Fire Protection Products  
The undermentioned products of

### FSi Limited

**Westminster Industrial Estate, Tamworth Road,  
Mesham, Leicestershire DE12 7DS  
Tel: 01530 515130 Fax: 01530 273564**

Have been assessed against the requirements of the Technical Schedule(s)  
denoted below and are approved for use subject to the conditions  
appended hereto:

---

**CERTIFIED PRODUCT**  
**PenoPatch**

**TECHNICAL SCHEDULE**  
**TS03 Penetration Sealing  
Systems**

**Signed and sealed for and on behalf of Warringtonfire Testing and Certification Limited**

**Paul Duggan**  
**Certification Manager**



Issued:  
Audit Test Frequency:  
Valid to:

14<sup>th</sup> October 2019  
Every 3 years  
13<sup>th</sup> October 2024





---

## CERTIFICATE No CF5806

### FSi Limited

---

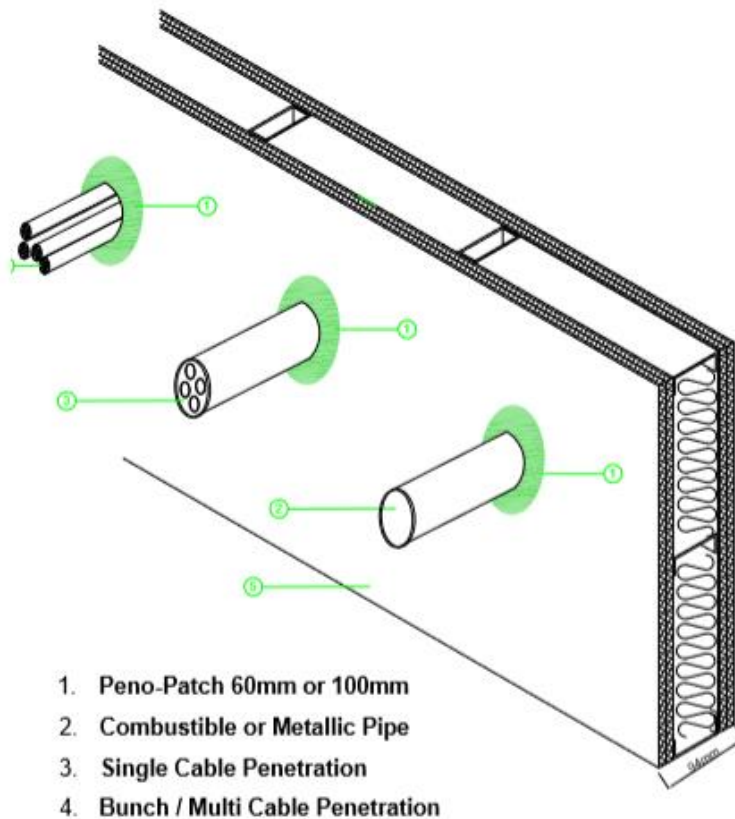
1. This certification is provided to the client for their own purposes and we cannot opine on whether it will be accepted by Building Control authorities or any other third parties for any purpose.
2. This approval relates to the use of PenoPatch for the fire protection of services where they penetrate walls and floors. The detailed scope is given in the Approval Matrix included in this Certificate. This shows the dimensions and acceptable services for PenoPatch, required to provide fire resistance periods in accordance EN 1366-3 for up to 120 minutes for wall constructions. The scope of certification complies with the guidelines stated in the ASFP Red Book: 4th Edition for 3rd party certification schemes.
3. The product is approved on the basis of:
  - i) Initial type testing
  - ii) Audit testing at the frequency specified in TS03
  - iii) A design appraisal against TS03
  - iv) Inspection and surveillance of factory production control
  - v) Certification of quality management system to ISO 9001: 2015
4. The floors and walls shall be of specified thickness in relation to the approval matrix, and have at least the same fire rating as that required for the penetration seal.
5. The product is approved to be used in the following Wall assemblies:
  - i) Flexible walls or partitions, being a minimum of 100mm thickness
  - ii) Block, masonry, aerated concrete and concrete will be within the density range of 450 to 2300kg/m<sup>3</sup> with a minimum thickness of 100mm
6. Service Types:
  - i) Blank Seals
  - ii) Small Cables
  - iii) Medium Cables
  - iv) Cable Bunches
  - v) Metal Pipes
  - vi) Plastic Pipes
7. The approval relates to on-going production. Product and/or its immediate packaging is identified with the manufacturers' name, the product name or number, the CERTIFIRE name or name and mark, together with the CERTIFIRE certificate number and application where appropriate.

Signed  
E/055

Issued: 14<sup>th</sup> October 2019  
Valid to: 13<sup>th</sup> October 2024

## CERTIFICATE No CF5806 FSi Limited

### PenoPatch – Wall Approval Matrix EN 1366-3:2009



PenoPatch is a putty based penetration sealing device specifically designed for use around small cables, cable bunches and plastic and metallic conduits in flexible and rigid walls. The PenoPatch is available in 60mm and 100mm diameter disc's, tested to EN 1366-3.

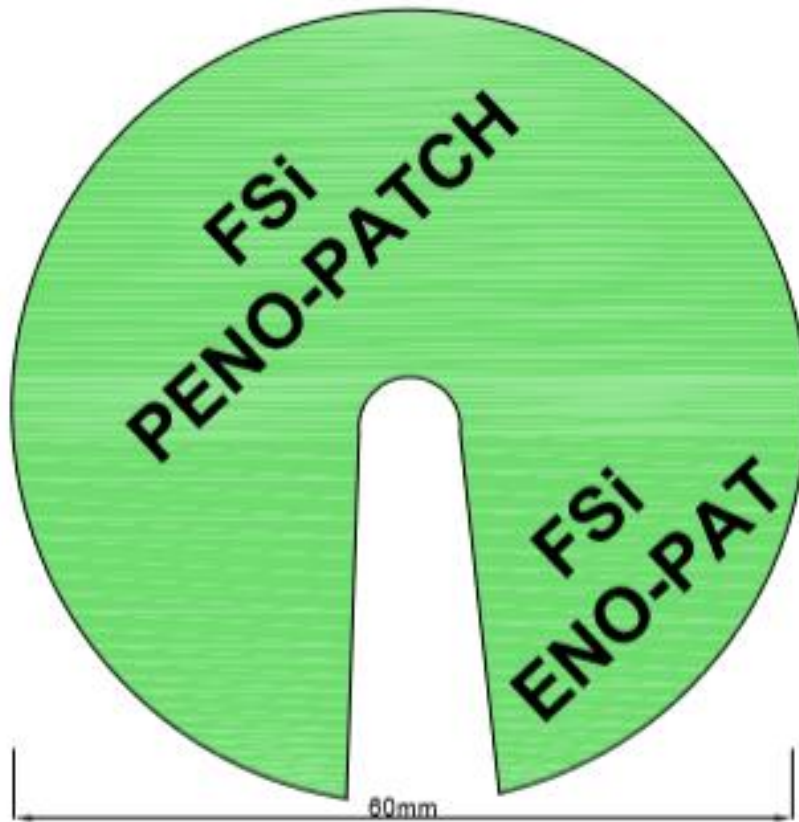
It is suitable for apertures up to 50mm in flexible or rigid walls of a thickness of 100mm or greater offering up to 120min fire resistance around the service indicated in the tables throughout this document.

Signed  
E/055

Issued: 14<sup>th</sup> October 2019  
Valid to: 13<sup>th</sup> October 2024

**CERTIFICATE No CF5806**  
**FSi Limited**

**60 mm PENOPATCH – Wall Approval Matrix EN 1366-3:2009**



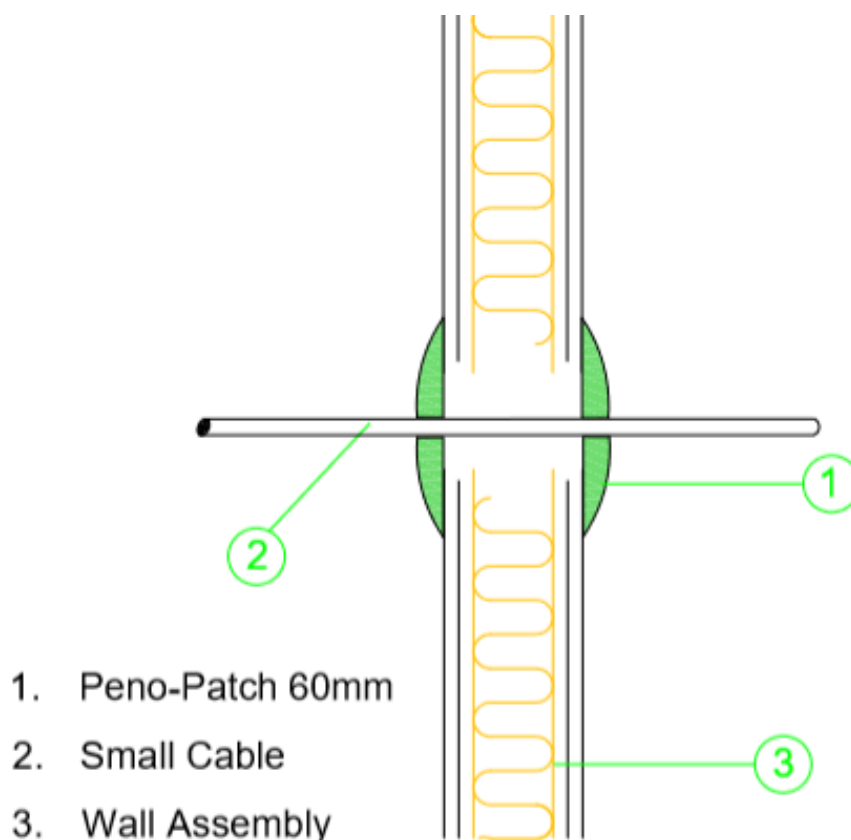
Blank Seal in Walls $\geq$ 100mm thickness (min)						
Service Type	Service Size mm	Service Description	Aperture Size mm	Wall type	Integrity	Insulation
N/A	N/A	N/A	25 x 25	Flexible	120	60

Signed  
E/055

Issued: 14<sup>th</sup> October 2019  
 Valid to: 13<sup>th</sup> October 2024

## CERTIFICATE No CF5806 FSi Limited

### 60 mm PENOPATCH – Wall Approval Matrix EN 1366-3:2009



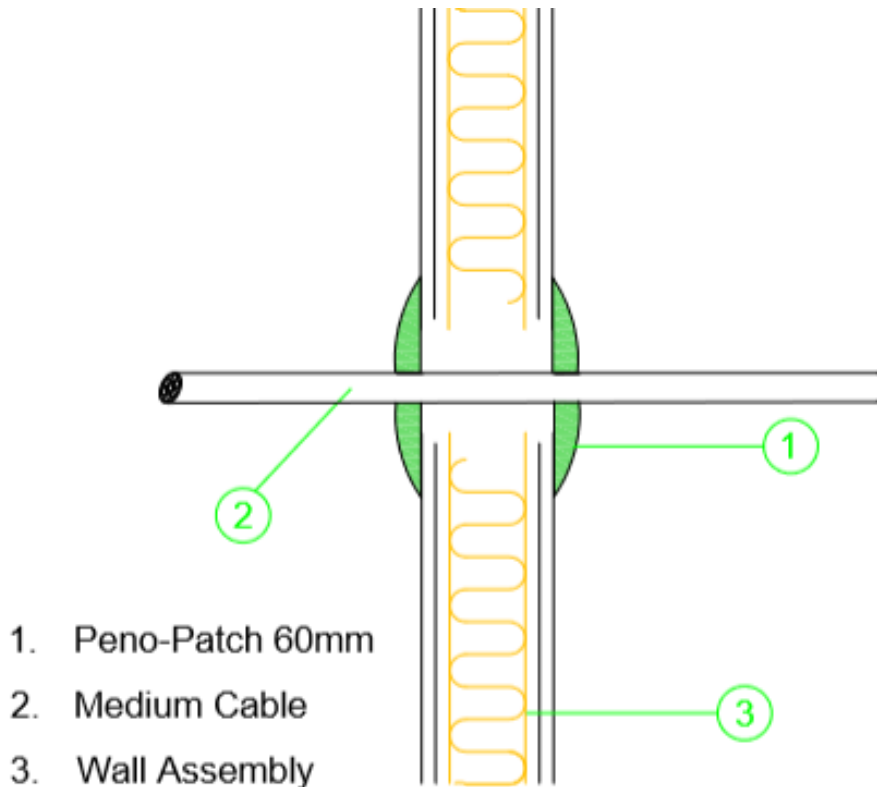
Small Cable Penetration Seal in Walls $\geq$ 100mm thickness (min)						
Service Type	Service Size mm	Service Description	Aperture Size mm	Wall Type	Integrity	Insulation
Cable A1	14	Sheathed PVC	25 x 25	Flexible	60	45
Cable A2	15	Sheathed XPR / PO	25 x 25	Flexible	60	30
Cable A3	14	Sheathed XLPE / EVA	25 x 25	Flexible	120	60
Small Cables	0-21	Electrical cables	25 x 25	Flexible	60	30

Signed  
E/055

Issued: 14<sup>th</sup> October 2019  
Valid to: 13<sup>th</sup> October 2024

## CERTIFICATE No CF5806 FSi Limited

### 60 mm PenoPatch – Wall Approval Matrix EN 1366-3:2009



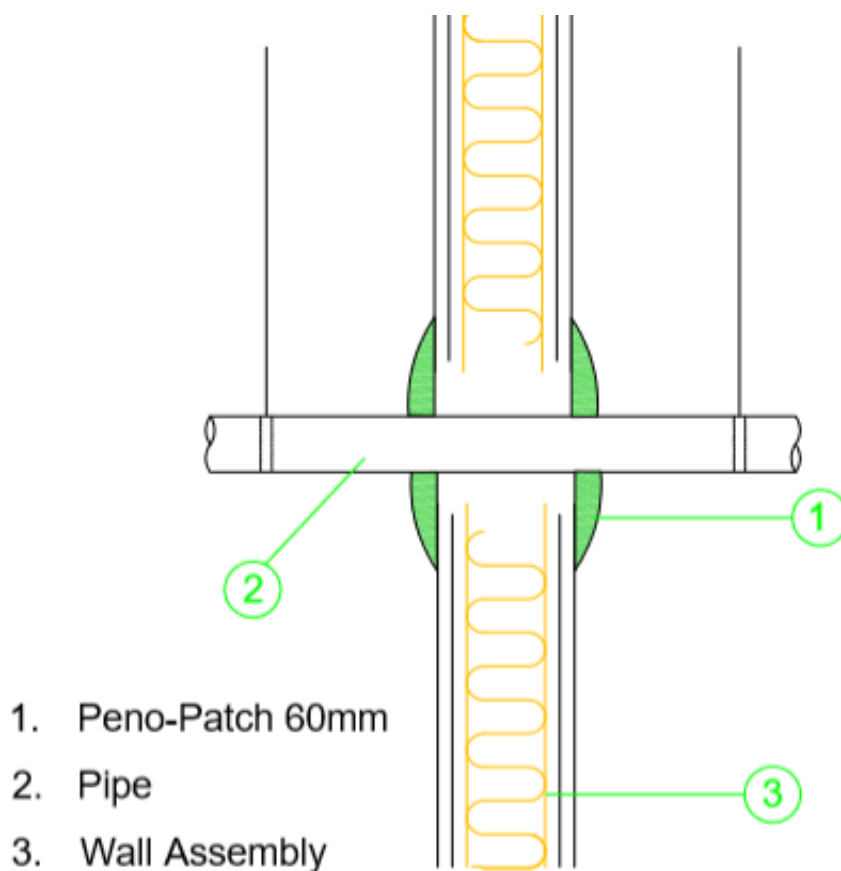
Medium Cable Penetration Seal in Walls $\geq 100$ mm thickness (min)						
Service Type	Service Size mm	Service Description	Aperture Size mm	Wall Type	Integrity	Insulation
Cable B	$\leq 21$	Medium sheathed PVC	25 x 25	Flexible	120	45
Cable E	$\leq 27$	Medium sheathed PVC	25 x 25	Flexible	120	30

Signed  
E/055

Issued: 14<sup>th</sup> October 2019  
Valid to: 13<sup>th</sup> October 2024

## CERTIFICATE No CF5806 FSi Limited

### 60 mm PenoPatch– Wall Approval Matrix EN 1366-3:2009



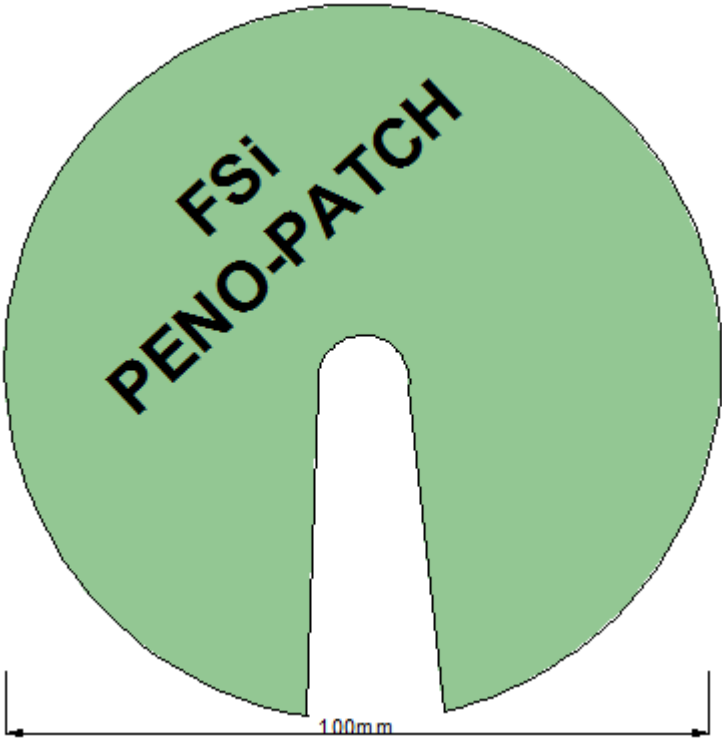
Conduit Penetration Seal in Walls $\geq 100\text{mm}$ thickness (min)						
Service Type	Service Size mm	Service Description	Aperture Size mm	Wall Type	Integrity	Insulation
Copper	$\leq 16$	$\geq 1.2\text{mm}$ wall	25 x 25	Flexible	120	20
Steel	$\leq 16$	$\geq 1.2\text{mm}$ wall	25 x 25	Flexible	120	20
Plastic	$\leq 16$	PVC $\geq 1.0\text{mm}$ wall	25 x 25	Flexible	60	60

Signed  
E/055

Issued: 14<sup>th</sup> October 2019  
Valid to: 13<sup>th</sup> October 2024

**CERTIFICATE No CF5806**  
**FSi Limited**

**100 mm PenoPatch – Wall Approval Matrix EN 1366-3:2009**



Blank Seal in Walls $\geq$ 100mm thickness (min)						
Service Type	Service Size mm	Service Description	Aperture Size mm	Wall Type	Integrity	Insulation
N/A	N/A	N/A	50 x 50	Flexible	60	60

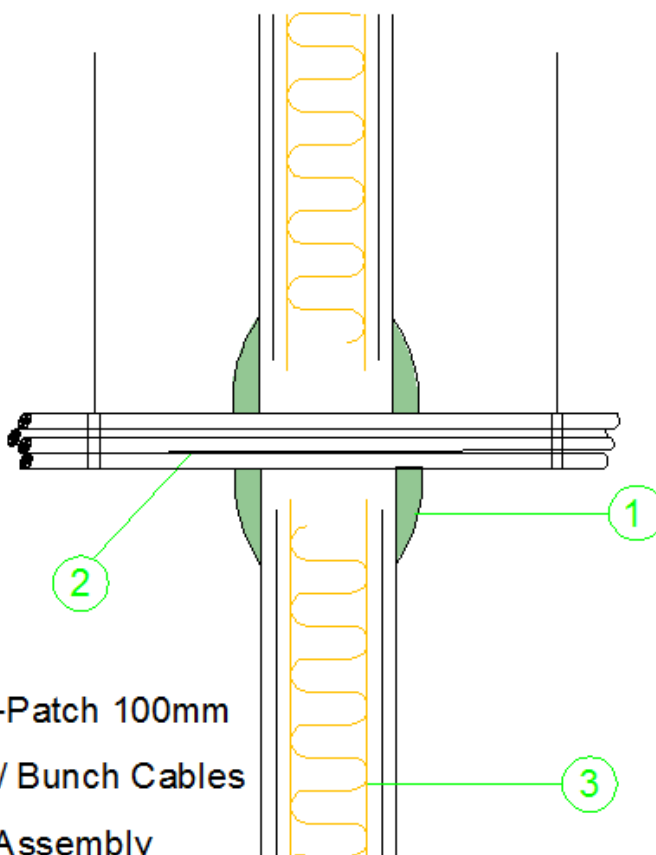
Signed  
E/055

Issued: 14<sup>th</sup> October 2019  
 Valid to: 13<sup>th</sup> October 2024



## CERTIFICATE No CF5806 FSi Limited

### 100 mm PenoPatch– Wall Approval Matrix EN 1366-3:2009



1. Peno-Patch 100mm
2. Multi / Bunch Cables
3. Wall Assembly

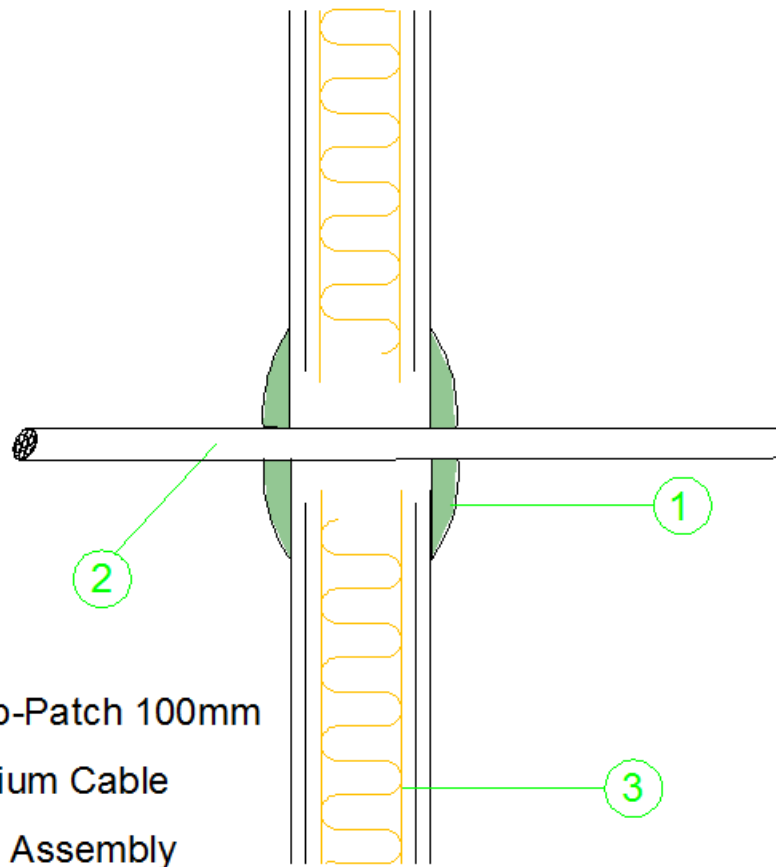
Small Cable Bunch Penetration Seal in Walls $\geq$ 100mm thickness (min)						
Service Type	Service Size mm	Service Description	Aperture Size mm	Wall Type	Integrity	Insulation
Cable A1	3 x 14	Sheathed PVC	50 x 50	Flexible	60	60
Cable A2	3 x 15	Sheathed XPR / PO	50 x 50	Flexible	60	45
Cable A3	3 x 14	Sheathed XLPE / EVA	50 x 50	Flexible	60	60
Small Cables	0-21	Electrical cables	25 x 25	Flexible	60	45

Signed  
E/055

Issued: 14<sup>th</sup> October 2019  
Valid to: 13<sup>th</sup> October 2024

## CERTIFICATE No CF5806 FSi Limited

### 100 mm PenoPatch – Wall Approval Matrix EN 1366-3:2009



1. Peno-Patch 100mm
2. Medium Cable
3. Wall Assembly

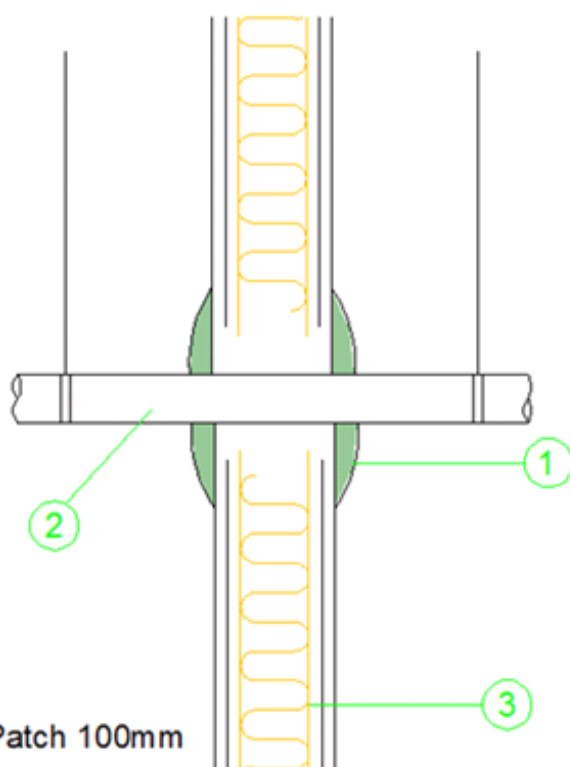
Medium Cable Penetration Seal in Walls $\geq$ 100mm thickness (min)						
Service Type	Service Size mm	Service Description	Aperture Size mm	Wall Type	Integrity	Insulation
Cable B	$\leq$ 21	Medium sheathed PVC	50 x 50	Flexible	60	45
Cable E	$\leq$ 27	Medium sheathed PVC	50 x 50	Flexible	45	45

Signed  
E/055

Issued: 14<sup>th</sup> October 2019  
Valid to: 13<sup>th</sup> October 2024

## CERTIFICATE No CF5806 FSi Limited

### 100 mm PenoPatch – Wall Approval Matrix EN 1366-3:2009



1. Peno-Patch 100mm
2. Combustible or Metallic Pipe
3. Wall Assembly

#### Conduit Penetration Seal in Walls $\geq 100\text{mm}$ thickness (min)

Service Type	Service Size mm	Service Description	Aperture Size mm	Wall Type	Integrity	Insulation
Copper	$\leq 16$	$\geq 1.2\text{mm}$ wall	50 x 50	Flexible	60	15
Steel	$\leq 16$	$\geq 1.2\text{mm}$ wall	50 x 50	Flexible	60	15
Plastic	$\leq 16$	PVC $\geq 1.0\text{mm}$ wall	50 x 50	Flexible	60	30

Signed  
E/055

Issued: 14<sup>th</sup> October 2019  
Valid to: 13<sup>th</sup> October 2024



---

## CERTIFICATE No CF5806

### FSi Limited

---

#### **PenoPatch – Approval Matrix Fixing Details**

##### **Installation and fixing**

PenoPatch fire stops can be penetrated by services etc. e.g. conduits or cables.

PenoPatch is supplied in pre-cut discs of 60mm or 100mm depending on the aperture size and service type.

Care should be taken to ensure the correct measurements are made prior to ordering, strictly observing the requirements of the tables in this document.

PenoPatch shall be fitted with the joint facing in the downwards position where possible, fitted with slight compression so that they are a tight fit and positioned with the securing tack as supplied by FSi Limited.

##### **Building Element**

A fundamental requirement to achieve a fire compartment when installing PenoPatch is that the penetration or penetration service does not deviate greater than the specified tolerances stated in the tables within this documents.

Appropriate support systems to the external wall structure should be designed and installed to prevent potential movement of the service.

Signed  
E/055

Issued: 14<sup>th</sup> October 2019  
Valid to: 13<sup>th</sup> October 2024