

PipeBloc<sup>®</sup>PCP Collars are designed and tested to seal service penetrations in apertures containing plastic and metallic pipes with or without insulation and on bunches of cables. PipeBloc<sup>®</sup>PCP has been developed utilizing specialist intumescent technologies which result in the collar expanding in the presence of heat or fire. This expansion is fast acting and up to 25 times. The expanding collar fills the void left by combustibles materials and remains in place, exerting a pressure on the surrounding substrate upholding the fire resistance of the compartment.

PipeBloc<sup>®</sup>PCP's ultra-thin design of 30mm or 40mm ensures they can be installed into the tightest of locations, tightly fitting to walls and ceilings. PipeBloc<sup>®</sup> PCP Collars can be installed on flexible and rigid walls, rigid floor constructions and in Stopseal<sup>®</sup> Ablative Batt seal.

This uniquely formulated product allows it to be tested and Certified to internationally recognised standards, including, Certifire, CE marking and UL Listings.

PipeBloc<sup>®</sup>PCP Sealant has been tested and Certified as part the FSi Fire Stopping range. The PipeBloc<sup>®</sup>PCP system can be installed across a variety services and substrates including,

- Flexible and Rigid Walls
- Rigid Floors
- Multi-Service penetrations
- Stopseal<sup>®</sup> Ablative Batt

**Areas of Use:**

- To reinstate fire resistance through walls and floors
- To seal multi-service penetrations
- To seal cable bunches
- Around combustible pipes from 32-250mm diameter
- Angled combustible pipes through walls
- Assumed working life 25 years
- For internal use

**Advantages**

- High performance intumescent
- Easy fixing method using common fixings or 'pigtail' screws
- Tested with a wide range of services, including plastic pipes, cables, insulated non-combustible pipes
- Tested within the Stopseal<sup>®</sup> Ablative Batt System
- Tested on angled pipes
- Allows mechanical movement of pipe
- Manufactured and tested alongside the entire FSi Fire Stopping range in the UK.

**Certification & Testing**

- Tested in accordance with EN1366-3:2009 – Fire Resistance – Penetration Seals
- Classified in accordance with EN13501-2 – Fire Resistance
- CE Marked – ETA 15-0489
- Conditioned in accordance with EOTA TR024 – X Type
- Certifire Accreditation – CF5367
- ULEU Accreditation
- UAE Certificate of Compliance



**Certifications**



**UAE Certificate of Compliance**

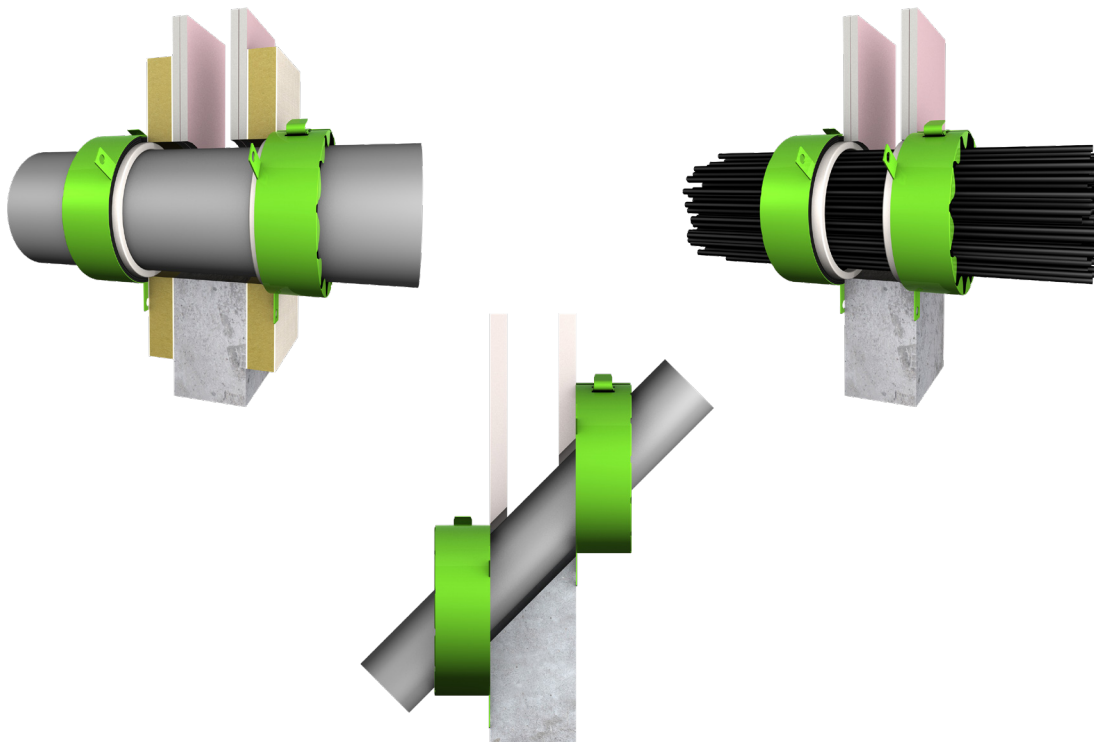
شهادة الامتثال  
للإدارة العامة للرقابة  
على البناء  
والهياكل  
الهندسية  
والسكوا  
البناء  
الهندسية  
والسكوا  
البناء  
الهندسية



Please refer to FSi Technical Data Sheets and Technical Manual for more information

**Overview**

Description	Result
Expansion rate - EOTA TR024	20:1
Expansion Pressure - EOTA	1.30 N/mm <sup>2</sup>
Application temperature	-5 to 40°C
Size	32 to 250mm diameter pipes
Colour	Green shell
Product Code	PCP
Associated Products	Stopseal Batt, Stopseal Ablative Coating
Shelf Life	N/A if stored in accordance with storage conditions.



FSi has Technical Representatives who provide assistance in the selection and specification of FSi products. For more information, specification and technical advice please call our Head Office on Tel: +44 (0) 1530 515130. Guarantee / Warranty: FSi products are manufactured to rigid standards of quality. Any product which has been applied in accordance with FSi's written instructions and in any application recommended by FSi, but which is proved to be defective in product quality, will be replaced free of charge. No liability can be accepted for the information provided in this document although it is published in good faith and believed to be correct. FSi Limited reserves the right to alter product specifications without prior notice, in line with our Company policy of continuous development and improvement.