



FIRE VALVES KSOF

PRODUCT FACTS

- Prevents the spreading of fire and smoke into duct systems
- Manufactured from sheet steel
- CE Marked KSOF
- Tested to SP 0402-CPR-SC0768-13

Fire class according to EN 13501-3 when installed into a gypsum wall:

- E 45 (ve i <-> o) S
- E 60 (ve i <-> o) S

Fire class according to EN 13501-3 when installed into a rigid wall:

- E 60 (ve i <-> o) S
- E 120 (ve i <-> o) S

GENERAL INFORMATION

KSOF is developed for use as a fire damper valve in exhaust ventilation systems.

Fire damper valve KSOF is CE marked based on product standard EN 15650:2010 and tested according to test standard EN 1366-2.

KSOF has a low noise level and good natural noise attenuation.

APPLICATION

CE marked fire damper valve KSOF is an exhaust valve, used to prevent spreading of fire and smoke into duct systems.

KSOF has a low sound level and good natural sound attenuation.

A spring loaded fuse will close the valve when temperature reaches the fusible link rating, 70°C.

MATERIAL AND SURFACE FINISH

The valve is manufactured from hot galvanized steel sheet. KSOF is powder coated for a high surface finish and good impact and scratch resistance. Standard colour White RAL-9010. Other colour on demand.

KSOF can also be delivered with economical CleanVent coating on demand.

The valve body is supplied with a cellular plastic gasket to form an airtight seal against the mounting frame.

The separate mounting ring is manufactured from galvanized steel sheet. Each valve is delivered with mounting ring KKT.

INSTRUCTIONS

Instructions for installation, adjustment and care are set out in detail in our technical instruction which accompanies each product. The instruction is also accessible on www.flaktwoods.co.uk/woods



CE CERTIFIED

PRODUCT CODE

KSOF-aaa-C

Fire damper valve
(including mounting ring KKT)

Size (aaa)
100, 125, 150, 160, 200
C = CleanVent coating

Following markings are added to the valve code if needed:
E = special colour

For example:

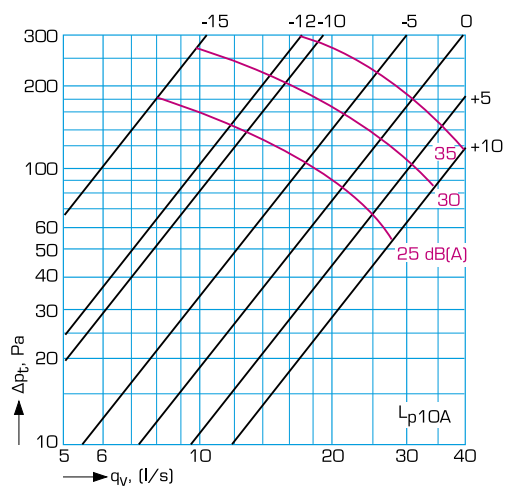
KSOF-100-E (KSOF-100 + KKT with special colour)

KSOF-100-C (KSOF-100 + KKT with CleanVent coating)

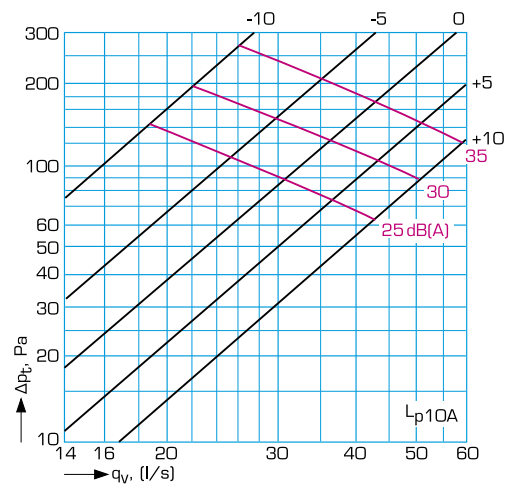
KSOF-100-E-C (KSOF-100 + KKT with special colour and CleanVent coating)

PERFORMANCE CHARTS

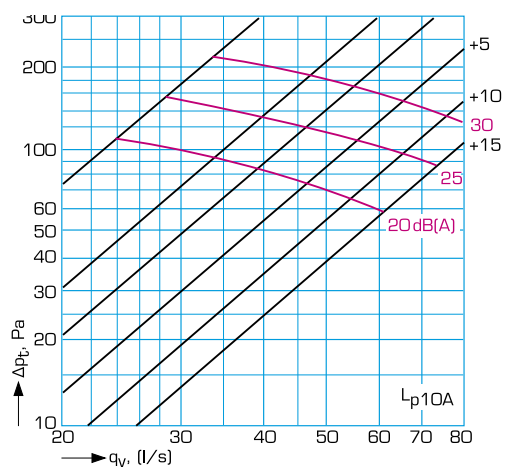
KSOF-100



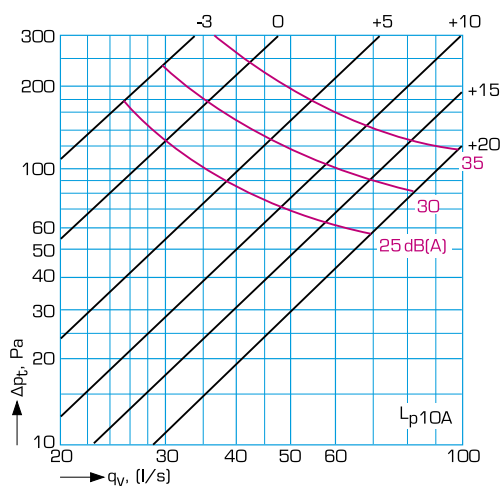
KSOF-125



KSOF-150, KSOF-160



KSOF-200





DIMENSIONS AND SOUND LEVELS

SOUND POWER LEVEL LW

KSOF	Correction Koc(dB), Octave bands, middle frequency, Hz						
	125	250	500	1000	2000	4000	8000
100	2	-1	-1	1	-4	-8	-22
125	-3	-3	-3	-2	0	-7	-24
150/160	0	-3	-1	-2	-7	-11	-25
200	1	-3	-4	3	-8	-12	-29
Tol +/-	3	2	2	2	2	2	3

Sound power levels by octave bands are obtained by adding to total sound pressure level $L_{p10A, dB(A)}$ the corrections K_{oc} presented in the table according to the following formula:

$$L_{Woc} = L_{p10A} + K_{oc}$$

Correction K_{oc} is average value in range of use of KE unit.

SOUND ATTENUATION ΔL

KSOF	Slots (mm)	Sound attenuation L(dB) Octave bands, middle frequency, Hz							
		63	125	250	500	1000	2000	4000	8000
100	-10	22	19	16	16	16	18	9	9
	0	22	18	13	12	12	13	6	7
	10	22	17	12	9	8	11	4	6
125	-10	21	18	15	14	15	14	10	7
	0	19	17	12	11	11	10	6	5
	10	20	16	10	9	9	8	5	5
150/160	-10	19	16	14	14	14	16	8	8
	0	18	14	11	11	11	13	5	7
	10	18	14	10	9	9	11	4	6
200	-10	15	15	14	14	16	15	10	9
	0	14	12	11	10	12	12	7	7
	10	13	11	8	8	9	10	6	6
Tol.		6	3	2	2	2	2	2	3

The average sound attenuation L from duct to room including the end reflection of the connecting duct in ceiling installation, is obtained in the table above.

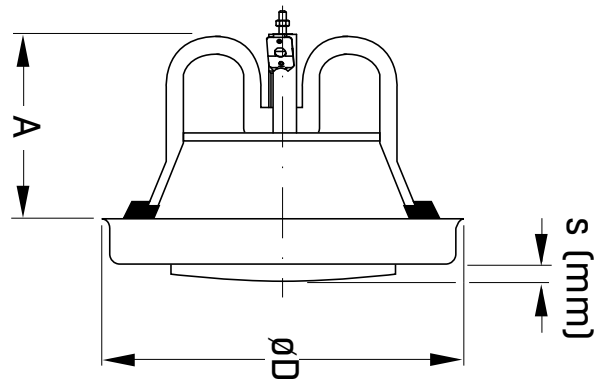
DEFINITIONS

q_v	air volume	l/s
p_t	total pressure drop	Pa
L_{p10A}	sound pressure level with 4 dB room attenuation dB(A)	(10 m ² sab)
L_{woc}	sound power level by octave bands	dB
ΔL	sound attenuation	dB
K_{oc}	correction	dB(A)

All dimensions shown in mm

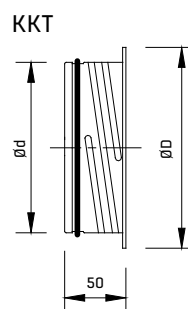
Products in **bold** are available from our UK Distributors on next day delivery, if ordered by 4pm. Please call to confirm availability on 01206 222 580.

DIMENSIONS AND WEIGHT



Size KSOF	Part Number	ØD (mm)	ØA (mm)	Weight (g)
100	SL400075	134	74	0.3
125	SL400076	160	85	0.38
150	SL400077	191	89	0.5
160	SL400078	191	89	0.5
200	SL400079	241	107	0.723

CleanVent included as standard.



Size KKT	Part Number KKT	Pack Size	Ød (mm)	ØD (mm)	Weight KKL (g)
100	SL000115	56	99	122	75
125	SL000114	36	124	148	102
150	SL000113	24	149	175	123
160	SL000112	25	159	184	131
200	SL000111	12	199	225	165

Mounting ring included as standard.

